

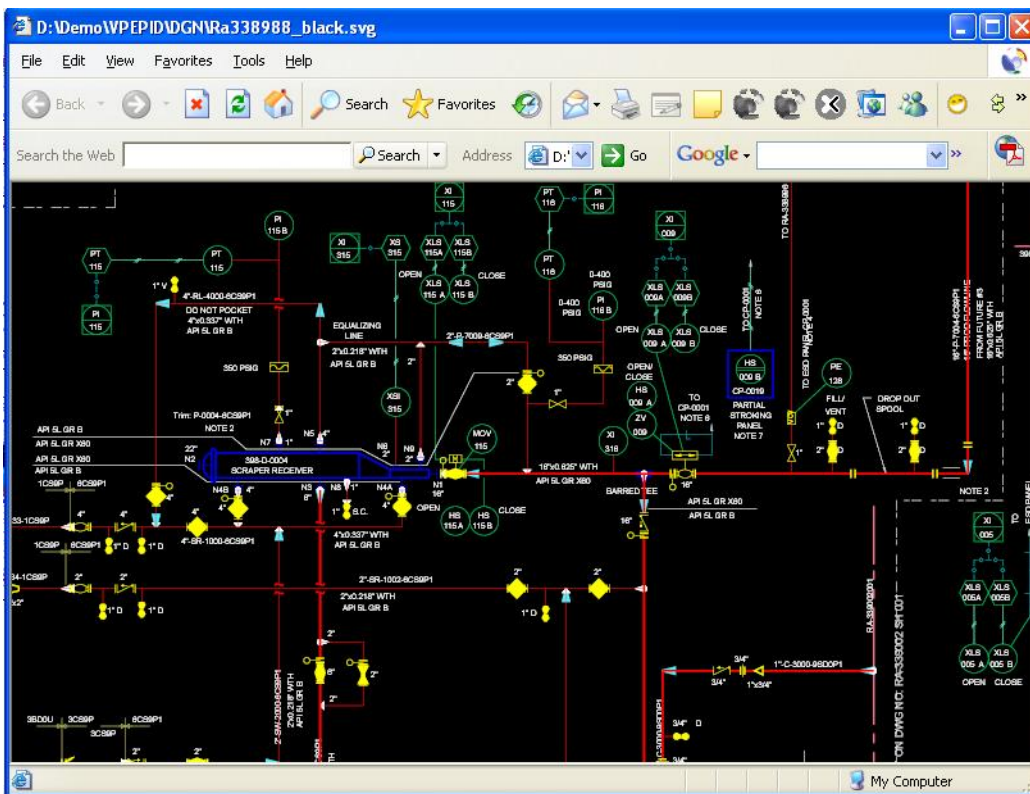


View and Navigate neutral Drawings

XMpLant XML files contain the full engineering model using Classes and attributes that are ISO 15926. This includes the plant hierarchy and the geometry (ISO 15926-3 taken from ISO 10303-42).

For drawings XMpLant can create SVG (w3c standard) that contain the full structure and Tags if present. An SVG file can be viewed in a Web browser using a free plugin downloadable from Adobe or in sophisticated portals such as VNET.

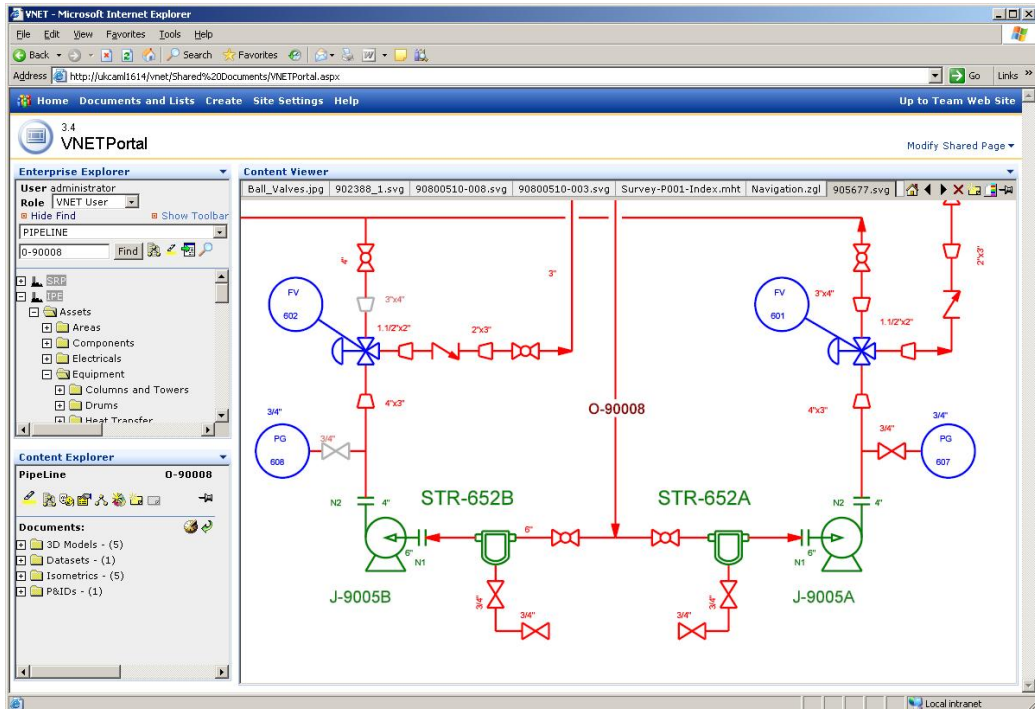
P&ID in Internet Explorer with SVGView plugin



Provides a simple way to view neutral drawings across the Web

- SVG file contains the full structure of the neutral model
- Contents of the SVG file can be controlled by Mapping
- Zoom, pan and scroll can be used to move around the drawing

As the SVG file contains the Tag it can be used to link to external applications. One such application is Aveva's VNET where full bi-directional linkage is made between VNET and the SVG file. The drawing can be used to select an object and then the Tag of this object will become the focus and all other information registered with VNET will be listed. A new pane with other related information can then be brought up and this can be another drawing 3D model or Datasheet.



This screenshot shows a P&ID in VNET where the focus is the PipeLine O-90008. The Enterprise Explorer shows the Asset structure and the Content Explorer (bottom left) list the information set related to O-90008.

Selecting the graphics of a tagged item on the drawing will reset the focus of the Content Explorer to the selected item which will then reflect the information about that object.

The search box (top left) allows a Tag to be entered so that focus can be switched to that.

The Tag manifest for VNET is published by XMpLant to VNET which uses the full structure and Tag attribute that XMpLant writes to the SVG file.

XMpLant - making intelligent proprietary drawings available across the Web

XMpLant® is a registered trademark of XMTools Ltd

Noumenon Consulting Ltd - solutions to plant information integration

For information: Call **Adrian Laud** on +44 (0)1234 376823 email: arlaud@noumenon.co.uk